

## HZHL-100A

赫兹电力  
HERTZ POWER

HZHL-100A

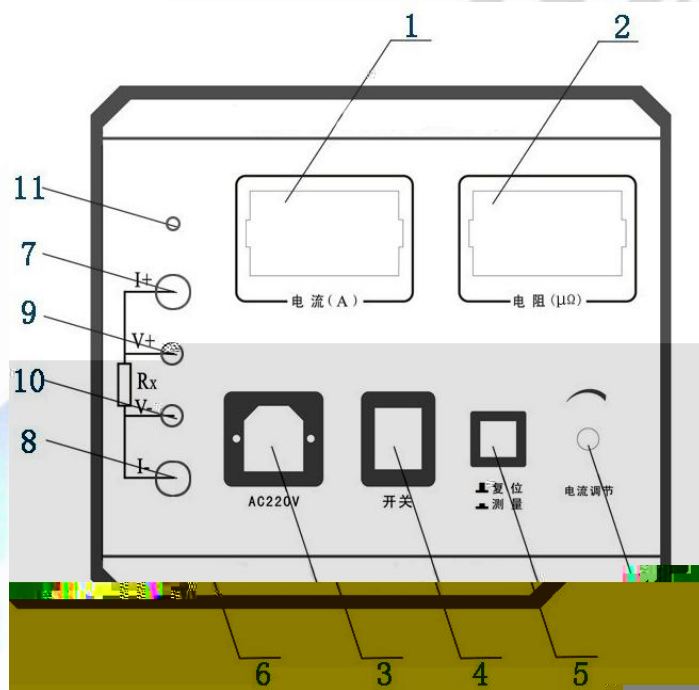
**赫兹电力**  
HERTZ POWER



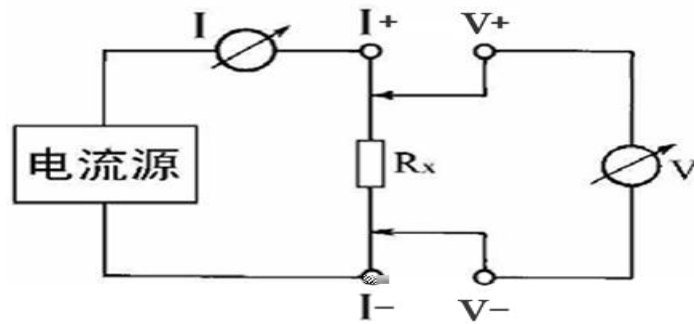
.....	4
.....	4
.....	4
.....	4
.....	5
.....	6
.....	6
.....	7
.....	7
.....	8
.....	8
.....	9



- 3 DC 100A
- 4 0.5%± 1d
- 5 LCD
- 6 LCD
- 7 AC220V± 10% 50Hz
- 8 - 10 40 80 %RH
- 9 300× 270× 200 mm<sup>3</sup>
- 10 5Kg



- |    |   |    |   |   |   |
|----|---|----|---|---|---|
| 1  | A | 2  | μ | 3 |   |
| 4  |   | 5  |   | 6 |   |
| 7  | I | 8  | I | 9 | V |
| 10 | V | 11 |   |   |   |



" | + | -



**赫兹电力**  
HERTZ POWER

1  
2



4

—  
—  
—  
—  
—  
—

SN1-- 0E fi

μ

μ

赫兹电力  
HERTZ POWER





**赫兹电力**  
HERTZ POWER