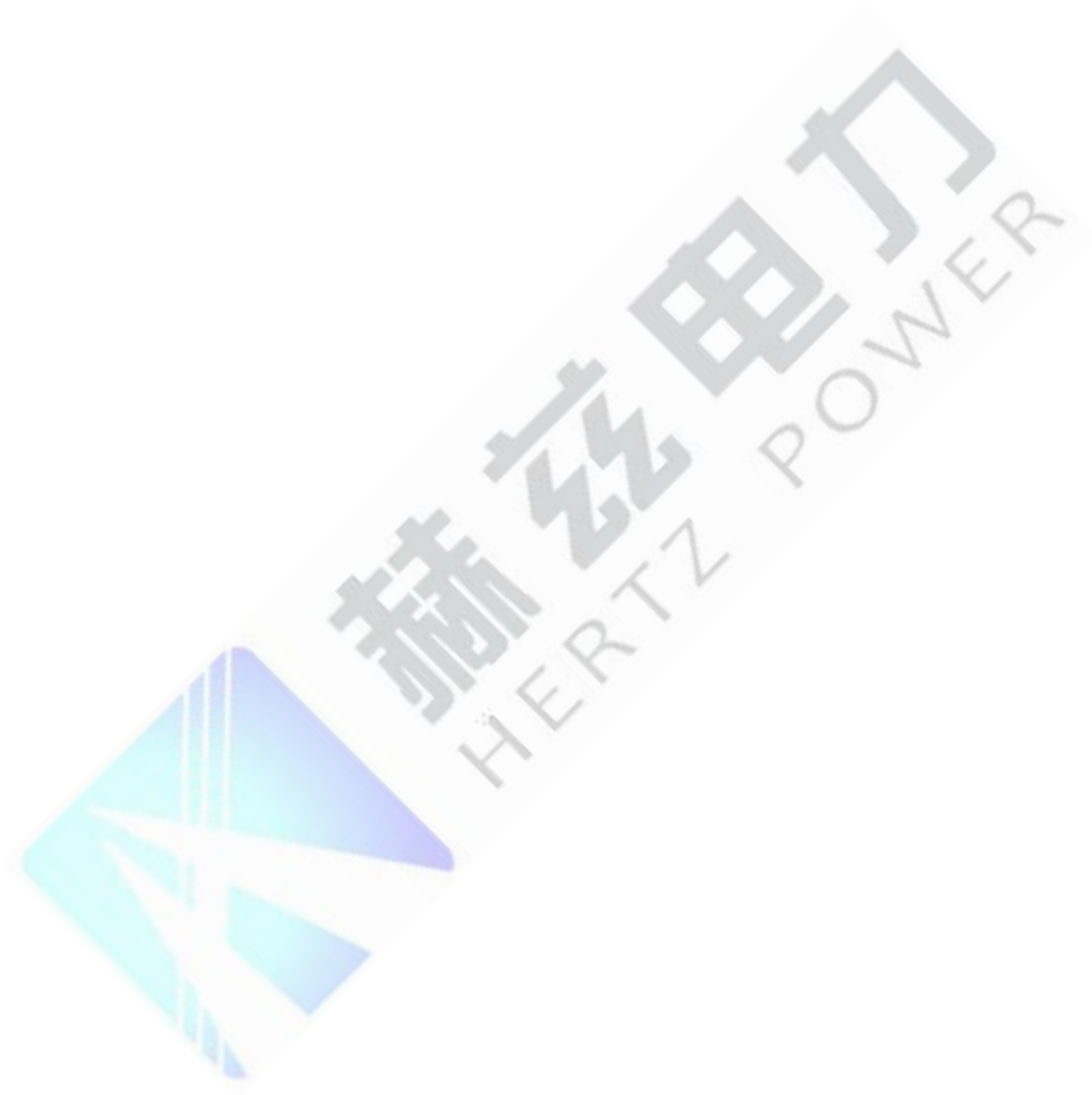
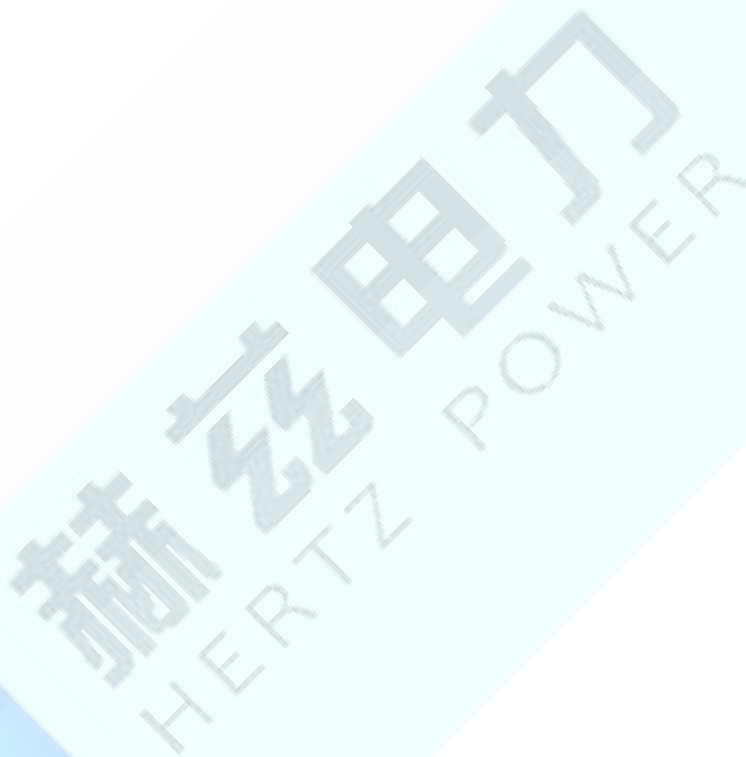


## HZ-5K



HZ-5K



赫兹电力  
HERTZ POWER







1000V(± 10%)	0 20M	± 3% dg± 5dgt	0.01M
	20 200M		0.1M
	200 2000M		1M
	2G 20G		0.01G
2500V(± 10%)	0 2000M	± 5% dg± 5dgt	1M
	2000M 20G		0.01G
	20G 200G		0.1G
5000V(± 10%)	0 2000M	± 20% dg± 10dgt	1M
	2000M 20G		0.01G
	20G 200G		0.1G
	200G 1000G		1G

3

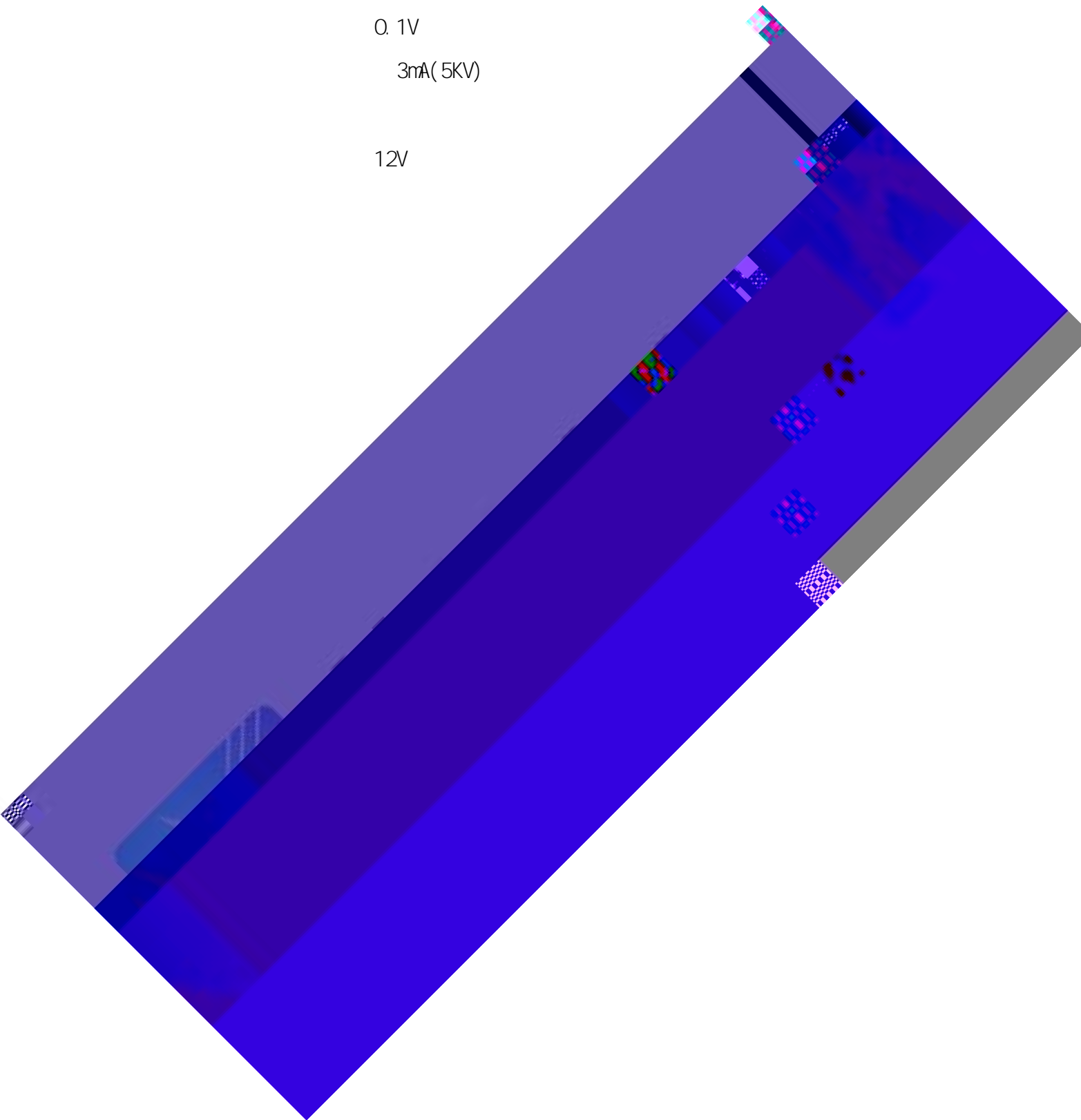
DC 0.0V 1000V

± 1.5% dg± 3dgt

0.1V



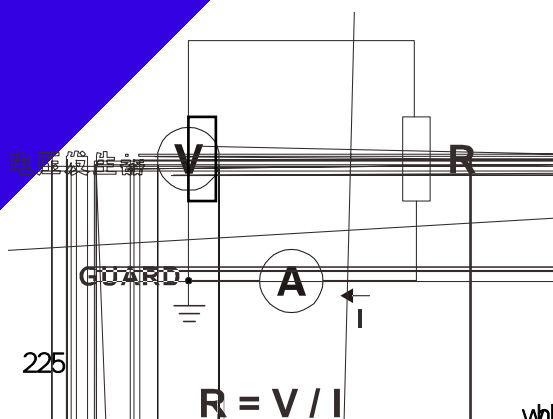
0.1V  
0 750V  
0.1V  
3mA(5KV)  
12V



- |          |           |      |
|----------|-----------|------|
| 1. LCD   | 2. LI NE  | 3. V |
| 4. GUARD | 5. EARTH  | 6.   |
| 7.       | 8.        | 9.   |
| 10. USB  | 11. LI NE | 12.  |
| 13       | GUARD     | 1    |
| 14.      |           |      |
| 15.      |           |      |

I R=V/I

V  
R



1

POWER

" APO"

15

2

LCD



3

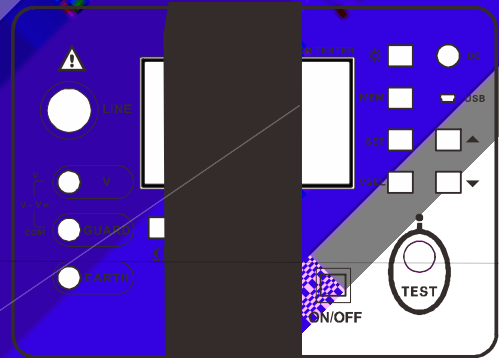
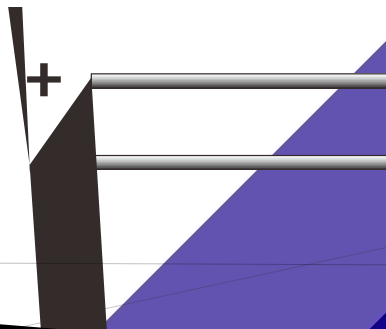


V 


V

COM

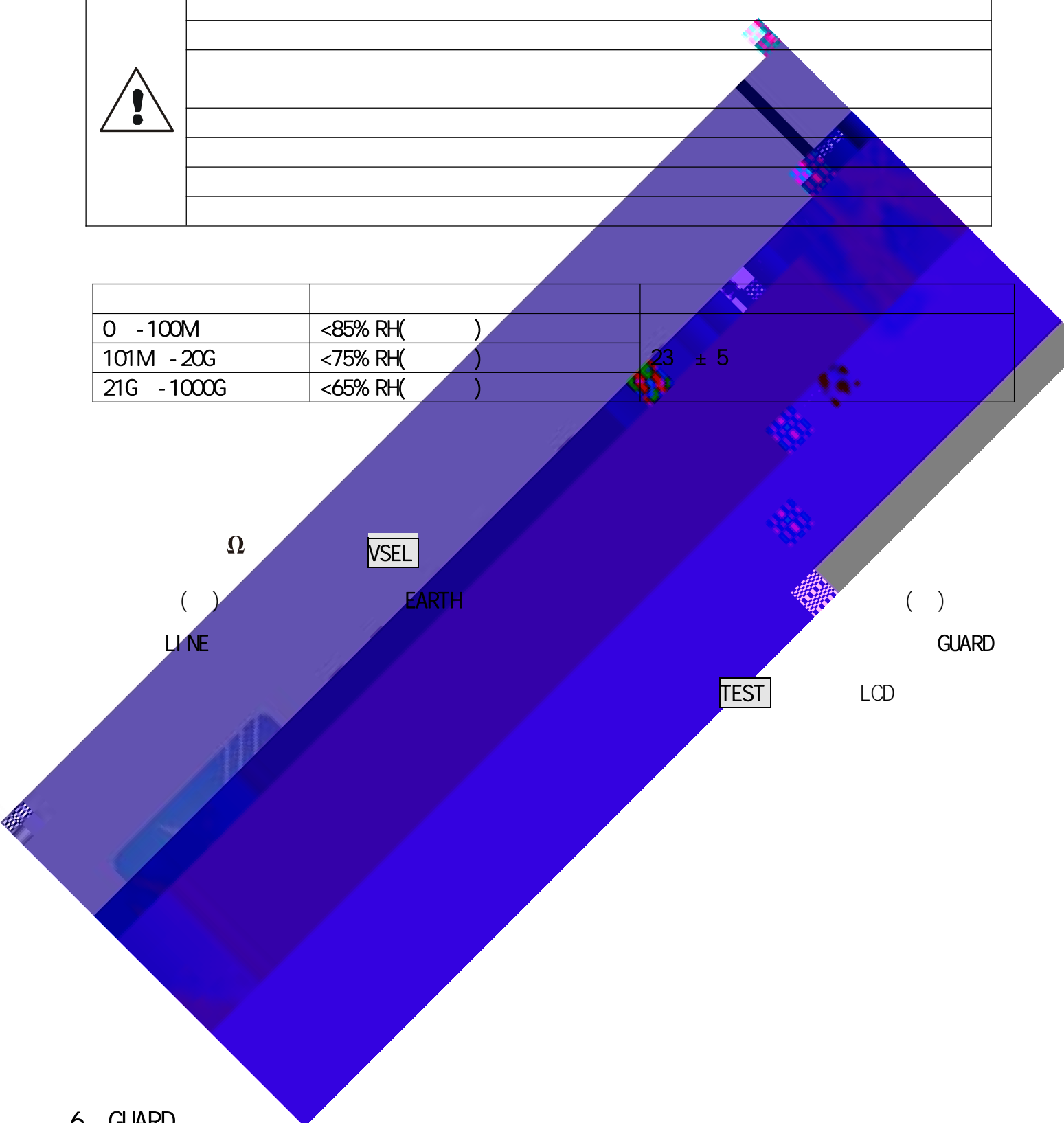
LCD



5.

0 - 100M	<85% RH( )	23 ± 5
101M - 20G	<75% RH( )	
21G - 1000G	<65% RH( )	



6 GUARD



ARDA

\$P \$P



	4	4 2	2.0 1.0	1.0
	1.4	1.25 1.0	1.0	

8

9



1

2

Y & w

1.